

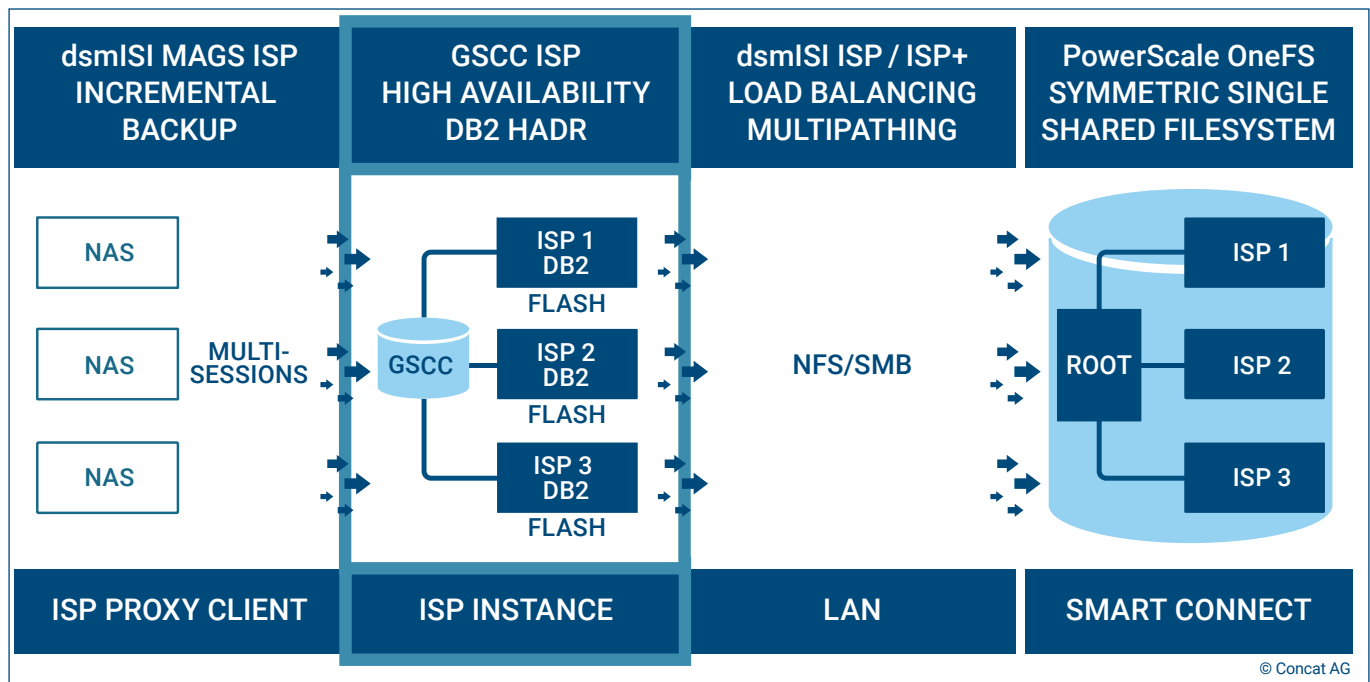
GSCC ISP

High availability solution for IBM Spectrum Protect server

GSCC ISP



General Storage Cluster Controller (GSCC) is a well-established high availability solution developed specifically for IBM Spectrum Protect server (ISP).



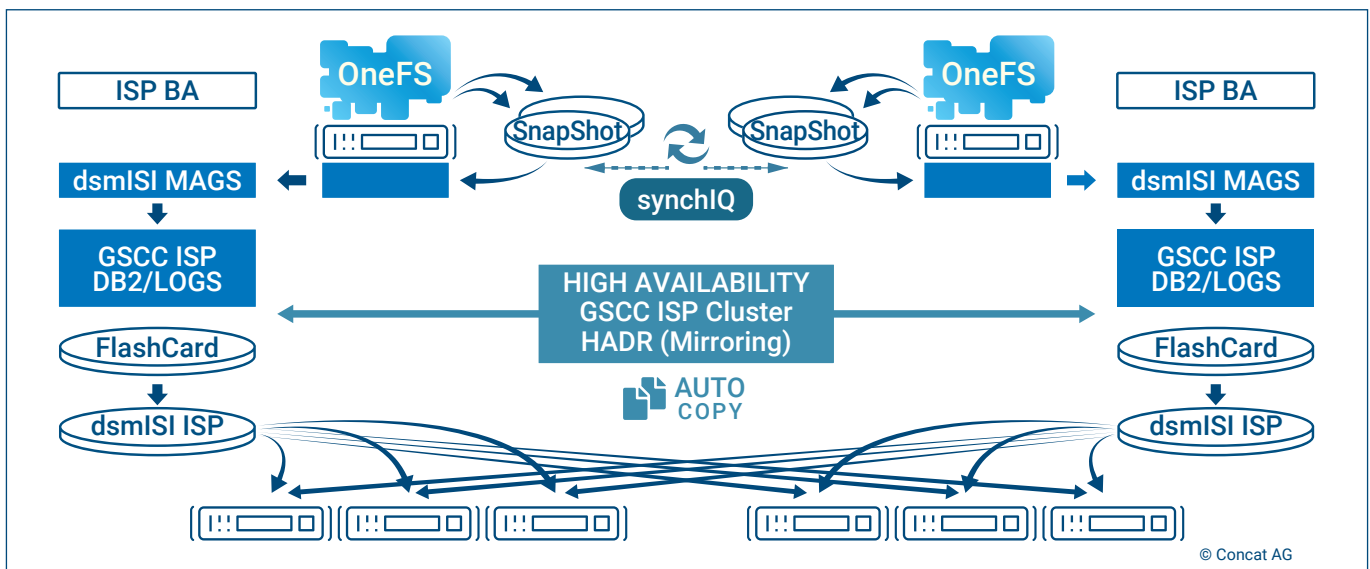
GSCC ISP is especially effective when combined with scalable Dell EMC PowerScale storage. Its DB2's HADR option enables the implementation of high available ISP server environments, without requiring SAN storage or SAN mirroring for ISP databases. GSCC is an application cluster rather than a conventional server cluster. GSCC is tailor-made specifically to the requirements of ISP servers. As a result of its application-based nature, it not only monitors and circumvents hardware failures, but also functional errors and logical application problems.

GSCC handles individual ISP server instances as independent objects in their runtime environment on any server in a cluster. If a problem occurs, GSCC initially begins with local fault correction. If the error cannot be corrected locally, the virtualized ISP server fails over to another system. All necessary operating components – ISP database instance, IP addresses, and SAN connections etc. – are also transferred, making the process fully transparent for ISP.



GSCC ISP Advantages:

- High availability for individual ISP instances
- Application based cluster – tailor-made for ISP requirements
- Monitoring of hardware failures and logical application problems
- Manages individual ISP server instances as independent objects in a virtualized runtime environment on any node in a cluster
- Transparent transfer of all relevant operating components, such as ISP database, IP addresses, and NAS and SAN connections
- Supports DB2 HADR for building high-available ISP server environments with IP-based clustering and mirroring
- Enables deployment of lean ISP servers equipped with inexpensive, internal flash cards for extremely demanding ISP databases without sacrificing reliability and disaster tolerance
- Optional integration of Isilon technology as ISP storage pools
- Dramatic increase in scalability and flexibility through GSCC, dsmlSI, flash storage, and Isilon OneFS



All GSCC features are dependent on deployed storage platforms and their capabilities. GSCC's benefits take full effect in combination with dsmlSI the perfect interface between Dell EMC's revolutionary Isilon technology and IBM's proven Spectrum Protect Software.



dsmlSI Suite and GSCC have been developed by our technology partner General Storage.

Concat AG
 Berliner Ring 127-129 Telefon: 06251/ 70 26-541
 64625 Bensheim Mail: team-akl@concat.de